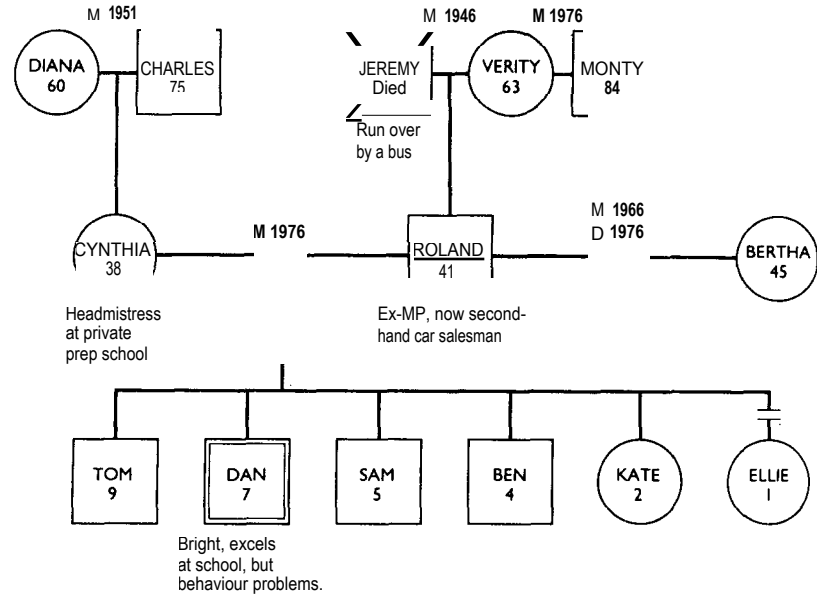
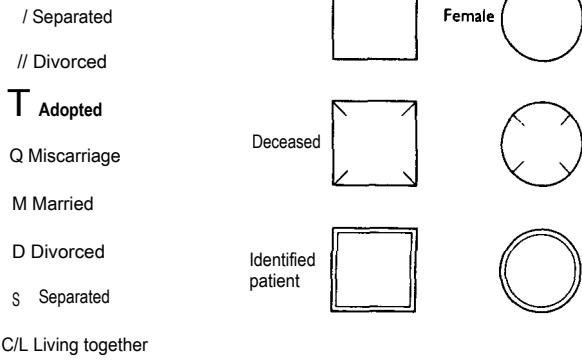


196 I SYNERGISTIC STUTTERING THERAPY



Legend:



(Not all of these samples are used in this family tree — they are shown for guidance for use in the therapists' chart.)

Figure 8.4 Genogram by R. Hayhow and C. Levy. (Reprinted with permission from: Hayhow R, Levy C. *Working with Stuttering*. Bricester, UK: Winslow Press, 1989, p. 54.